

Dev. 4665

THE AMERICAN ETHNOLOGICAL SOCIETY, VERNE F. RAY, EDITOR

***Eskimo Childhood and
Interpersonal Relationships***

NUNIVAK BIOGRAPHIES AND GENEALOGIES

By Margaret Lantis



SEATTLE • UNIVERSITY OF WASHINGTON PRESS • 1960

APPENDIX B. GENEALOGIES*

- I. Families of Aaron, Nicholas, Lydia, and Elizabeth
- II. Families of PugulaGa`Lagia, Dennis, Ethan and Pani`-
khhkakh, and Edwin Larson
- III. Families of Christine and Paul, Harmon, and Apa`zu
- IV. Families of Asael Sharp, Chu`qa, Russell, and Kapu`Gan
- V. Families of Daniel and Amelia, Kiawi`Gakh and A`naGaN,
Stephen and Helene
- VI. Families of Larson, John, and Clarence
- VII. Families of Herbert and Lucinda, Tim and Juliet, Ezra
and Rose
- VIII. Families of Tachi`Lka and ANa`Gakh, Ka`naga`Gan, and
Wilson
- IX. Families of Simon, Lukhtusi`Gakh, Kusa`uyakh, Ernest
Norton, Cook, and Solomon
- X. Families of Lewis, Benson, Pani`gaGakh, James, Chani`-
aGaLagia, and A`qoaq

Note on Genealogies

Names of many of the young children, of the latest recorded generation, necessarily have been left blank. They are called usually by their English names, which are obtained easily from school and church records but which are not given here, to protect the children. Getting their Eskimo names is much more difficult, since these can be obtained only from their Eskimo elders and best by

*All English names are fictitious.

interview: the Nunivakers' English spelling of their names is not exactly consistent or even recognizable. Unless these youngsters have been mentioned in the biographies, they have not been assigned fictitious English names. All English names shown in the genealogies are of course the fictitious ones.

These genealogies, obtained and checked on three visits to the island during sixteen years, should be considered current as of January, 1956; that is, no births and deaths since that time have been included. The basic work on the genealogies was done in 1939-40 when the author's field studies were supported by the American Philosophical Society, Philadelphia, and the Department of Anthropology, University of California, Berkeley.

The "mainland" from which some Nunivakers obtained spouses includes Nelson Island, since it is and has been socially part of the mainland. Geographically, the strait separating it from the mainland is no greater barrier than a small river. Nunivak, in contrast, was isolated by a twenty-three-mile-wide strait that was dangerous in all but the calmest weather and impassable in winter. Since 1940, however, with increasing air travel Nunivak has been increasingly accessible. The principal result thus far has been a drawing of Nunivakers to the mainland to live, reversing the trend in the early part of the century.

Notes on Relationships

An anonymized version of these notes is given
at the end of the dataset information pdf file.

KEY TO GENEALOGIES			
Personal Number	Eskimo Name	Identification, by Relationship	Occurrence, by Genealogy Number
3A	Anonymized column	Son of Elizabeth	I, X
6A		Sister of Amelia	V, VI
6B		Louise, daughter of Rose	V, VII, VIII
6C		Daughter of Wilson	VIII, X
7A		Jane, wife of Matthew and Lewis	VI, X
7B		Wife of Herbert, sister of Juliet	VII
7C		Mother of Ralph Johnson and Dan Johnson	I, IX, X
7D		Daughter of Ralph Johnson and Martha	X
7E		Harriet, daughter of Ralph and Rose	VII, X
8A		Sister of Harmon, mother of Pearl	III
8B	Judy Cook, sister of Duncan	III, VI, IX	
9A	(Called also ača'fax?) Half sister of i'NaN	III	
9B	Claudia Field, sister of Raymond	III	
10A	Son of Andy	I, VIII	
10B	Daughter of u'mian	IV	
10C	Paternal grandfather of Daniel	V	
10D	Aunt of Alberta	IV	
10E	Dennis, father of Ethan	I, II	
10F	Father of Aaron	I	
11A			
12A		Daughter of Rhoda and Theodore	V
13A		Catherine, wife of Victor	I, II, IV, VIII
13B		Sister of Daniel	V
14A		Second Mildred, daughter of Christine	III
14B		Sister of Daniel	V
14C		Anne, wife of Paul Scott	III, V, VI
15A		Juliet, wife of Ethan	II, VII
20A		Rosamond, wife of Ernest Norton	IX
21A		Wife of Harmon, sister of Lewis	III, X
22A		First wife of Matthew	III, VI
26A		Daughter of Chris Daniel	V
27A		Noah, son of Austin	V, VI, IX
30A		Simon, first husband of Ada	IX
30B		Brother (or half brother?) of Rickie	VII
30C		Son of Adam Larson	VI
30D		Rob, son of Lucinda	VII, IX
30E		Father of Amelia	V
30F		Isaac, husband of Rose	II, III, VII, VIII
35A		Father of ki'uGan	VIII
36A		Son of lu'xtusi'ga	IX, X
		Husband of Constance	VIII
		Son of Tim	VII

Appendix B

Personal Number	Eskimo Name	Identification, by Relationship	Occurrence, by Genealogy Number
37A		Father of žani'aGa'lagia	I, V, X
37B		Husband of Esther and Lillian	I, III, IV, VIII, X
41A		Alfred Cook, brother of Duncan	III, IX
41B		Father of Lewis	III, X
41C		Son of Esther	I, VII, VIII
46A		Daughter of Lucinda	VII
50A		Leila, daughter of Paul Scott	III
50B		(Called also ača'lux) Stepgrand-mother of Gregory	VIII
51A		Mother of Jeffrey and Fred Matthew	VI, VII
51B		Daughter of Jeffrey	VI
52A		Mother of Helene	I, V
53A			
		Daughter of Bob Wilson	VIII
53B		Daughter of Victor, adopted by May	I, VI
60A		Son of Herbert, adopted by Lewis	VII, X
60B		Husband of nuyə'Gayux (also of pani'sagax?)	V, IX
60C		Son of Simon and Ada, adopted by Ernest	IX
61A		Wife of Billy and Tim	III, VII
65A		Rhoda, daughter of Helene	IV, V, VI
65B		Mother of Stephen (evidently not the same as Christine's grandmother)	V, VIII
65C		Mother of nu'son, niece of Aaron, possibly sister of miga'ziGan	I, II, III, VIII
65D		Daughter of Zachary	VIII
68A		Daughter of ki'uGan	VIII
70A		Probably name of daughter of Mary Russell	III, IV
70B		Ada, wife of Luther	II, V, IX
70C		Daughter of Russell	III, IV
70D		First Mildred, daughter of Christine	III
70E		Mother of Gregory	II, VIII
70F		Mother of Russell's first wife	IV
71A		Husband of Rachel (probably i'GinaXao'žin)	I
73A		Husband of Esther	I, VII, VIII
73B		Father of Edwin Larson	II, III, VI
74A		Mother or maternal aunt of Daniel (probably mother)	V
80A		Wife of Aaron	I
81A		Husband of Sophie	VIII, IX
85A			
		Harmon, brother-in-law of Lewis	I, III, VII, X
86A		Dick (or Richard), son of Lewis	VI, X
90A		Father of Scott	III, IV
90B		Fritz Russell, husband of May	IV, VIII
91A		Son-in-law of Russell (man from the mainland)	III, IV
92A		Wife of Charlie Sharp	IV, VIII
92B		Wife of u'mian	IV, VI

Appendix B

Personal Number	Eskimo Name	Identification, by Relationship	Occurrence, by Genealogy Number
92C		Aunt of Paul Scott	III
96A		(Called also ka'yaxki'ilNox) Field, brother of aiya'qsaq	II, III
100A		Celia, half sister of Catherine, mother of ki'uGan	I, IV, VII, VIII, IX
105A		Brother of Harmon	III
105B		Son of Clarence	VI
105C		Duncan Cook, son-in-law of Daniel	III, V, IX
105D		Father of John and Clarence, also of i'NaN	II, III, VI
105E		Ethan, son of Dennis	II, IV, VII
105F		Father of James, evidently not same as father of John and Clarence	X
106A		Wife of žani'aGa'lagia	I, IV, X
106B		Grandmother of Ernest Norton (see Note)	III, V
106C		Daughter of a'NinaQax	IX
107A		Daughter of Jeffrey and Dora	VI
111A		Wife of Edwin Larson and Richard Chappel's father	II, IV, IX
112A		Grandson of kusau'yax	IV, IX
112B		Son of kakia'nax	II, VI
113A		Joe, son of Edwin Larson	I, II
114A		Wife of Homer Larson (from the mainland)	III, VI
125A		Son of Herbert	VII
127A			
		Mary, daughter of Russell	III, IV
128A		Lucinda, sister of Herbert	II, IV, VII, VIII
129A		Chris Daniel, husband of Esther and Judith	I, V, VII, VIII
135A		Aunt of Helene (same ža'qa as Scott's mother)	I, III, IV
135B		Esther, wife of Chris and a'qoaq	I, V, VII, VIII, X
135C		Daughter of Ethan	II
135D		Christine, wife of Gregory	III, VII
135E		Wife of Simon (same as Helene's aunt?)	IX
136A		Son of Simon and Ada	IX
137A		Son of Daniel	V
140A		Father of ka'kia'nax and Herbert (same as father of Celia?)	II, IV, VII, IX
140B		Probably name of father of Celia	VIII
141A		Son of Ethan	II
142A		Thomas, son of Paul Scott	III
143A		Asael Sharp, husband of Alberta	IV
146A		Adolph, adopted by Aaron	I, VIII, X
146B		Father of apu'Gan and no'GaN	III, VI, VII, X
146C		Joshua, nephew of Daniel	I, IV, V, VIII, X
146D		Fred, son of Matthew	VI, X
146E		Son of Herbert	VII
146F		Son of Tim	VII

Personal Number	Eskimo Name	Identification, by Relationship	Occurrence, by Genealogy Number
146G		Steve, son of Ezra	VII
147A		James, husband of pani'nagax	VII, X
147B		Arnold, stepson of Ralph Johnson	X
151A		Jeffrey, son of Matthew	VI
151B		Lillian, wife of k'uGan	VIII, X
151C		Sister of Cook	IX
155A		Judith, wife of Chris	II, V, VIII
156A		Son of Catherine	I, IV, VIII
157A		(Also called na'ci'xmax) Ernest Norton, son of pani'sagax	III, IX, X
160A		Joel, son of John	III, VI
160B		Possibly name of son of Dick Lewis	X
161A		Wife of Alfred Daniel	IV, V, VII
161B		Mother of no'GaN and a'naGan	VI, VII
161C		Daughter of Tim	VII
165A		Sister of Daniel	I, V, X
170A		Husband of pu'gulaGa'lagia	II, IV, V, VIII
170B		Theodore, husband of Rhoda	IV, V
171A		Wife of ka'kia'nax and Bernard Virginia, daughter of Solomon Cannon	II, VI
171B		Son of Tim	VI, IX
171C		Son of Isaac and Rose	VII
172A		Benson, brother of a'gana'cu'Nax	IX, X
172B		Uncle of Benson	X
173A		Brother of Richard Chappel	III, IV
176A		Clarissa, wife of Ted Cook	IV, IX
177A		Mother of Rose	II, VII, IX
181A		Ellen, daughter-in-law of Russell	IV, VII
181B		(Also called i'ca'ganin) Wife of Daniel (same as Ezra's mother?)	II, V
181C		Barbara, adopted by Jane Matthew	VI, VII
181D		Brother of zu'qa and pani'sagax	V
186A		Brother of Amelia	V
186B		Son of Rachel	V
186C		(Also called a'Na'sax) Father of Ezra	II, VII, IX
188A		Mother of Elizabeth	I
191A		Austin, half brother of Rachel	I, V, VI, IX
195A		Brother of Daniel	V
195B		Daughter of Ellen	IV
198A		Sister of Juliet	VII
198B		Son of Tim	VII
198C		Wife of Austin	V, VI, IX, X
200A		Child of Chris Daniel (sex unspecified, probably female)	V
200B		Adopted daughter of Zachary	VIII, IX
200C		Grandfather of Christine	II, III, X
205A		Son of mani'Ganax	VII
205B		Brother of Asael Sharp	II, IV, X
210A		Aunt (or uncle?) of Asael	IV
210B		Husband of Dorothy Gregory	III, IV
215A			

Personal Number	Eskimo Name	Identification, by Relationship	Occurrence, by Genealogy Number
220A		Son of Lucinda	VII
220B		Jimmie, son of Dennis	I, VII
220C		Father of Dennis	II, X
220D		Uncle of Herbert	II, VI, IX
221A		Daughter of Juliet	VII
225A		Paul Scott, brother of Christine	III, IV, VI
225B		Brother of Scott and Russell	III, VI
228A		Aunt of Stephen	V
228B		Wife of Zachary	II, III, VII, VIII
229A		Mother of Celia	IV, VIII
230A		Father of Alberta	IV
230B		Son of Asael Sharp and Alberta	IV
235A		Luther Norton, brother of Amelia	V, VI, IX
236A		Maternal uncle of the Larsons	II
236B		Bernard Larson, husband of May	I, II, VI, VIII
236C		Richard Chappel, husband of Jessie	IV, VIII
238A		Patrick, son of Clarence	VI, VIII
238B		Father of Richard Chappel	I, IV
240A			
241A		(Nickname; real name forgotten) Father of Stephen	V, VIII
245A		Jerome, brother of Ernest	IX
248A		Husband of Lucinda	VII, VIII
248B		Son of Celia	VIII
248C		Louis, son of Asael Sharp	IV
249A		Mother of Alberta	IV
252A		Grandfather of Gregory and May	VIII
252B		Father of Austin	I, V
252C		Gregory, husband of Christine	I, III, VIII
255A		Son of Herbert	VII
258A		First wife of Adam Larson	VI, VII
258B		Possibly name of daughter of Esther	VII
258C		Son of Oliver	VIII
258D		(Also called ma'a'gax) Sophie, adopted daughter of Benson	V, VIII, X
258E		Daughter of Wilbert Daniel	V
260A		Daughter of Lewis, wife of Adolph	III, VIII, X
261A		Father of patu'lagia	VI
261B		Son of patu'lagia	VI
265A		Wife of Clarence	VI, VIII
265B		Granddaughter of Celia	VIII
268A		Ezra, son of i'ca'ganin	II, VII, VIII, IX
270A		Son of Celia	VII, VIII
270B		Son of Adolph	VIII
270C		Father of Asael Sharp	IV
270D		Charlie, son of Asael Sharp	IV, VIII
271A		Sammy, son of Bob Wilson and Sophie	V, VIII
271B		Brother of Cook	I, VI, VIII, IX
275A		Mother of Lewis	III, X

Personal Number	Eskimo Name	Identification, by Relationship	Occurrence, by Genealogy Number
278A		(Also called lagau'taGax) Mother of Asael Sharp	IV
279A		Wife of Duncan Cook	V
279B		Mother of Lydia	I, IV, V
279C		Hannah, sister of Pearl, mother of Virginia (not same as Lydia's mother)	IX
282A		Danny, son of Gregory	III
282B		Maternal uncle of Daniel (possibly same as Gregory's father)	V, VIII
282C		Grandson of ŷukai'yax	II, VI
283A		Father of puyugone'gax	IV, VI, IX
283B		Adam Larson, brother of Bernard	V, VI, IX
283C		Father of Matthew	II, VI
286A		Daughter of Dan Johnson and Pearl	IX
287A		Probable name of daughter of Fritz Russell	IV
287B		Jessie, wife of Nicholas and Richard	I, IV
288A		(Also called kao'wagax) Owen, son of Matthew	VI, IX
288B		Son of Asael Sharp	IV
288C		Cook, husband of Pearl	II, III, VI, IX, X
289A		Solomon Cannon, husband of Celia	VIII, IX
295A		Emily, adopted daughter of Ernest Norton	VII, IX
295B		Wife of a'qoaq and Paul Scott	III, IV, X
295C		Mother of Asael Sharp	IV
298A		Son-in-law of kusau'yax	II, V, IX
298B		Son of Joel John and Judy Cook	VI
298C		Son of Matthew	VI
298D		Son of Simon and Ada	IX
298E		Aaron, husband of aNi'lan	I, II
298F		John, father of Joel	II, VI
298G		Probably name of son of Paul Scott and Anne	III
298I		Paternal uncle of Daniel	V
300A		Rose, wife of Isaac and Ralph Johnson	III, V, VII, VIII, X
300B		Louis, adopted son of Benson	IX
300C		Father of Benson	II, X
300D		Mother of aiya'qsaq	II, III
300E		Daughter of Wilbert Daniel	V
302A		Pearl, mother of Duncan Cook	III, IV, IX
303A		Wife of Simon	IX
308A		Lewis, father of Dick	III, VI, VII, IX, X
309A		Daughter of Jeffrey Matthew and Dora	VI
312A		Brother of ŷu'qa	V
315A		Russell, brother of Scott	III, IV, VI
318A		First wife of apa'zu	III



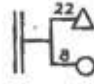

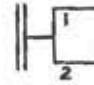
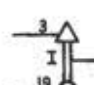
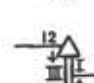

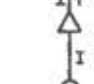


Personal Number	Eskimo Name	Identification, by Relationship	Occurrence, by Genealogy Number
318B		Daughter of Tim	VII
320A		Son of Isaac and Rose	VII
320B		Wife of Benson	X
321A		Brother of Martha	III, VII, X
325A		Husband of ko'nako'siN	I
325B		Hans, son of Lydia	I, VI, VIII
328A		Mother of the Larsons	II, VI
328B		Sister of ŷu'qa, wife of kusau'yax	V, IX
328C		Sister of Daniel	V
330A		Daughter of Simon, adopted by Adam Larson	IX
331A		Daughter of Chris and Judith, adopted by Luther Norton	V
332A		Martha, wife of Ralph Johnson	III, X
332B		Gertrude, adopted daughter of Jane Matthew	III, V, VI, X
335A		Probably name of son of Ellen	IV
335B		Son of Russell	IV
335C		Father of Matthew's first wife	III
340A		Brother of Asael Sharp	I, IV
342A		Son of Simon and Ada	IX
345A		Mother of Herbert	II, IV, VII
348A		Nicholas, husband of Lydia	I, IV, V, VIII
349A		Daniel, husband of Amelia	I, II, V, VI, X
354A		Alfred, son of Daniel	V, VII
354B		Probably name of son of Adam Larson	IX
354C		Matthew, father of Jeffrey	VI, IX
354D		Brother of Rachel	I, V
354E		Davy, son of Austin	I, V, IX
356A		Father of Rose	VII, VIII
356B		Dan Johnson, husband of Pearl	IX, X
357A		Wife of Russell	IV, VI, VIII
360A		Father of aiya'qsaq	II, III
361A		Son of a'Ninaqax	VIII, IX
361B		Zachary, husband of ka'n.aGan	II, III, VIII
361C		Son of Paul Scott and Anne	III
364A		(Also called ki'kitax) Scott, father of Christine	III
364B		Son of Joel John	III, VI
364C		Son of Paul Scott and Anne	III, X
365A		Wife of ŷu'qa	IV, VIII
368A		Father of Bernard Larson	I, II, VI
369A		Son of Adam Larson	VI
369B		Son of Homer Larson	III, VI
369C		Brother of Stephen	I, V, VII, VIII
370A		Daughter of Simon	IX
370B		Mother of ka'kia'nax	II, VII, IX
372A		Mother-in-law of Zachary	VIII
375A		Brother of Daniel	V
378A		Son of Jeffrey Matthew	VI

Personal Number	Eskimo Name	Identification, by Relationship	Occurrence, by Genealogy Number
378B		Wife of Ethan	II, IV
378C		Father of a'qoaq	III, X
381A		Wife of Clarence	VI, VII
381B		Rickie, son of Ethan	II, IV, VII
381C		Wife of Jack Dennis	I, VII
382A		Father of Solomon Cannon	IX
382B		Son of Solomon Cannon	IX
382C		Herbert, brother of Lucinda	II, III, IV, VII, IX
382D		Ted Cook, son of Pearl	III, IV, IX
383A		Lottie, daughter of Lydia	I
388A		Wife of Lewis	III, VI, IX, X
388B		Possibly name of daughter of Dick Lewis	X
388C		Wife of Aaron	I
388D		Daughter of Dennis and Elizabeth	I, VIII
388E		Sister of Alberta (possibly same as 388C)	IV
389A		Daughter of Amelia and first husband (if he was tač'i'ka, then this nu's.an is Constance)	V
389B		Daughter of Jeffrey and Dora	VI
389C		Constance, wife of Ezra	III, VII, VIII
389D		(Also called ki'ziNa'tagia) Agnes, wife of Oliver	VIII, X
389E		Mother of Christine	III
389F		Dorothy, daughter of Christine	III
389G		Mother of a'qoaq	I, V, VI, X
389H		Daughter of Chris Daniel	IV, V
389I		Daughter of Dennis and Elizabeth	I, X
389J		Daughter of Bob Wilson	VIII
390A		Step-mother and wife of Luther Norton	V, IX
392A		Betsy, wife of Wilbert Daniel	V, VII
395A		May, wife of Bernard	I, VI, VIII
397A		Wife of Russell	III, IV
397B		Granddaughter of Russell	III, IV
400A		Daughter of Scott	III, VI
400B		Melissa, daughter of Paul Scott	III, IV
401A		Daughter of Dennis	I
401B		Grandmother of Dennis	II
401C		Sister of Dennis	II, III, IX, X
403A		Mother of čuka'yax	II
403B		Mother of Simon	IX
406A		Daughter of Chris Daniel and Judith	V
406B		Wife of Edwin Larson	II
406C		Wife of James (possibly same as 406B)	X
408A		Daughter of Alfred Cook	V, VII
410A		Mother of Ernest Norton	III, IV, V, IX
412A		Sister of Herbert	II, IV, VII

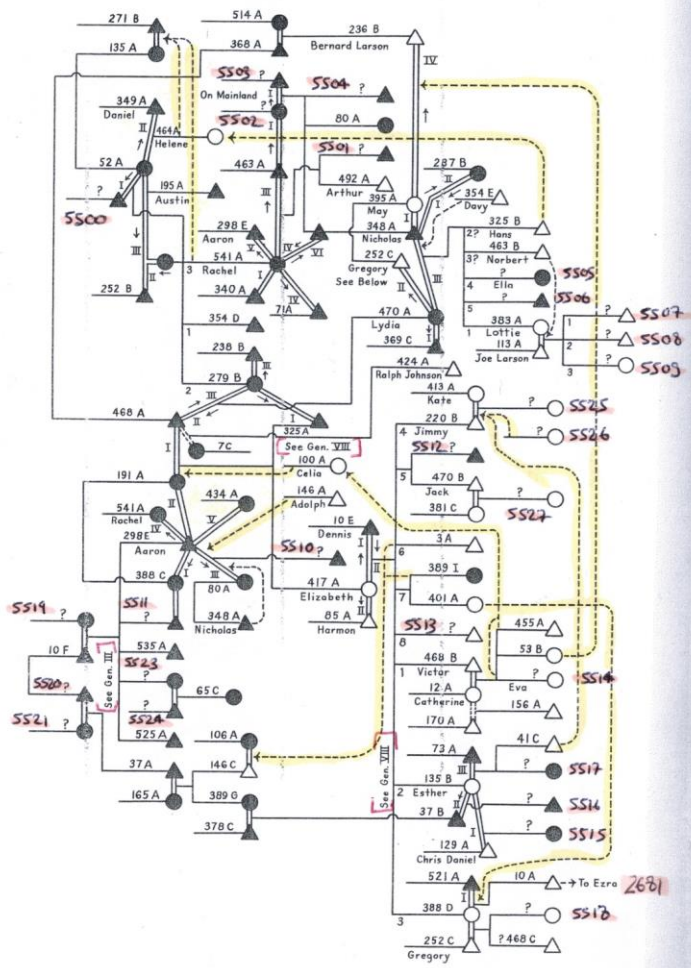
Appendix B

Appendix B

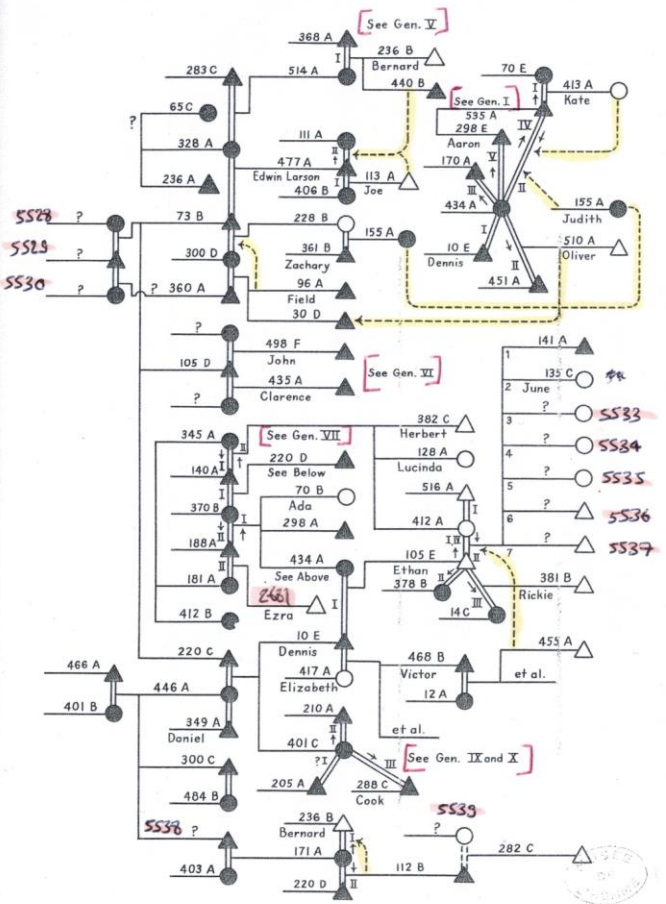
Personal Number	Eskimo Name	Identification, by Relationship	Occurrence, by Genealogy Number
412B		Grandmother of Gregory	II, VII, VIII
413A		(Also called al'katax) Kate, wife of Jimmie Dennis	I, II, V, VIII
413B		Amelia, wife of Daniel	V, VI
413C		Marjory, daughter of Lewis	IX, X
417A		Elizabeth, wife of Dennis	I, II, III
417B		Mother of Luther Norton	V, IX
420A		Wife of John, mother of Joel	III, V, VI
420B		Daughter of Joel John	III, VI, X
420C		Daughter of Herbert	VII
424A		Ralph Johnson, husband of Rose	I, VII, X
425A		Son of Daniel, husband of Anne	III, V, VI
425B		Brother of Daniel	V
425C		Possibly name of son of Chris Daniel	V
430A		Brother of John	VI
434A		Wife of Aaron and tač'i'ka	I, II, IV, VIII, IX
435A		Clarence, half-brother of John	II, V, VI, VIII
438A		Paternal uncle of Ernest Norton	III
440A		Son of u'mian, nephew of Bernard	IV
440B		Brother of Bernard Larson	II
440C		Son of Adam Larson	IX
443A		Husband of Daniel's aunt?	V
443B		Son of Adam Larson	IX
446A		Mother of Dennis	II, V, X
446B		Sister of kusau'yax, possibly mother of patu'lagia	VI, IX
447A		Probably name of great-granddaughter of kusau'yax	IV
447B		Daughter of kusau'yax	VI, IX
451A		Husband of a'n.man	II, III, VIII
451B		Gilbert, son of Gregory	III
451C		Son of Oliver	VIII
455A		Son of Victor	I, II
458A		Son of Rose	VII
460A		Alberta, wife of Asael Sharp	IV
463A		Husband of Rachel, father of Arthur	I, V
463B		Norbert, son of Lydia	I
464A		(Also called naya'ganiq) Helene, mother of Rhoda	I, V, VI, VIII
466A		Grandfather of Dennis	II
468A		Husband of ko'nako'siN	I, V, VIII, X
468B		Victor, son of Elizabeth	I, II, VIII
468C		Probably name of son of Gregory	I
468D		Stephen, husband of Helene	V, VI, VIII
468E		Son of Theodore and Rhoda	V
470A		Lydia, daughter of ta'n.agix	I, V, VIII
470B		Jack, son of Dennis	I, VII
474A		Father of Ernest Norton	III, V, IX
474B		Brother of Stephen	V, VIII, IX
477A		Edwin Larson, father of Joe	II, VI, IX
477B		Raymond, nephew of nu'san Scott	III, VI
480A		Maternal uncle of Daniel	V

Personal Number	Eskimo Name	Identification, by Relationship	Occurrence, by Genealogy Number .	SYMBOLS USED IN NUNIVAK GENEALOGIES		
484A		Marian, wife of tao'lan, adopted daughter of Benson	V, VI, IX, X	1		Legitimate marriage, with offspring.
484B		Mother of Benson	II, X			
486A		Sister of Ernest and Jerome Norton	IX	2		Illegitimate relationship, with offspring.
488A		Brother of Richard Chappel	IV			
490A		Brother of Ernest and Jerome Norton	IX	3		Own children, male and female; each person identified by number. See keyed list of Eskimo and English names.
492A		Arthur, son of Rachel	I, V			
495A		Wilbert, son of Daniel	V, VII	4		Adopted children.
498A		Tim, husband of ani'yax	III, VII, X			
498B		Paternal uncle of Daniel	V	5		Order of birth; and twins.
501A		Lars, son of Simon, adopted by Ezra	VII, VIII, IX			
505A		Sister of Daniel	V	6		First marriage for each spouse, indicated by Roman numeral.
506A		Mother of Solomon Cannon	IX			
510A		Oliver, husband of Agnes	II, VIII, X	7		Order of marriage: man's third wife, woman's first husband.
514A		Mother of Bernard, sister of Matthew	I, II, VI, VII			
514B		Debby, daughter of Adam Larson	III, VI	8		Successive monogamous marriages.
514C		Mother of kusau'yax, possibly wife of upa'Gowax, possibly maternal grandmother of Cook and patu'tagia	III, IV, VI, IX			
514D		Paternal grandmother of Matthew	VI	9		Solid triangle or circle indicates that the person was deceased as of January 1, 1956.
516A		Son of Asael Sharp	II, IV			
516B		Father of Amelia	V, IX			Example of polygamy: man's marriage to an older woman (third marriage for each), then to a girl.
516C		Harold, son of Anne	III, VI			
516D		Father of Catherine	VIII			
516E		Son of Wilbert Daniel	V			
520A		Billy, husband of Rose	V, VII, VIII, X			
521A		Andy, husband of nusa'laq	I, VIII			
522A		Uncle of Daniel	V			
525A		Brother of Aaron, father of Cook	I, III, VI, IX			
530A		Daughter of kusau'yax	VII, IX			
531A		Homer, brother of Bernard	III, VI			
534A		Uncle of Daniel?	V			
535A		Brother of Aaron	I, II, VIII			
538A		Daughter of Richard Chappel and Jessie	IV			
538B		Bob Wilson, husband of Sophie	V, VIII			
538C		Adopted son of James, probably brother of Martha	III, X			
541A		Rachel, half sister of Helene	I, IV, V			
544A		Son of Jeffrey and Dora	VI			

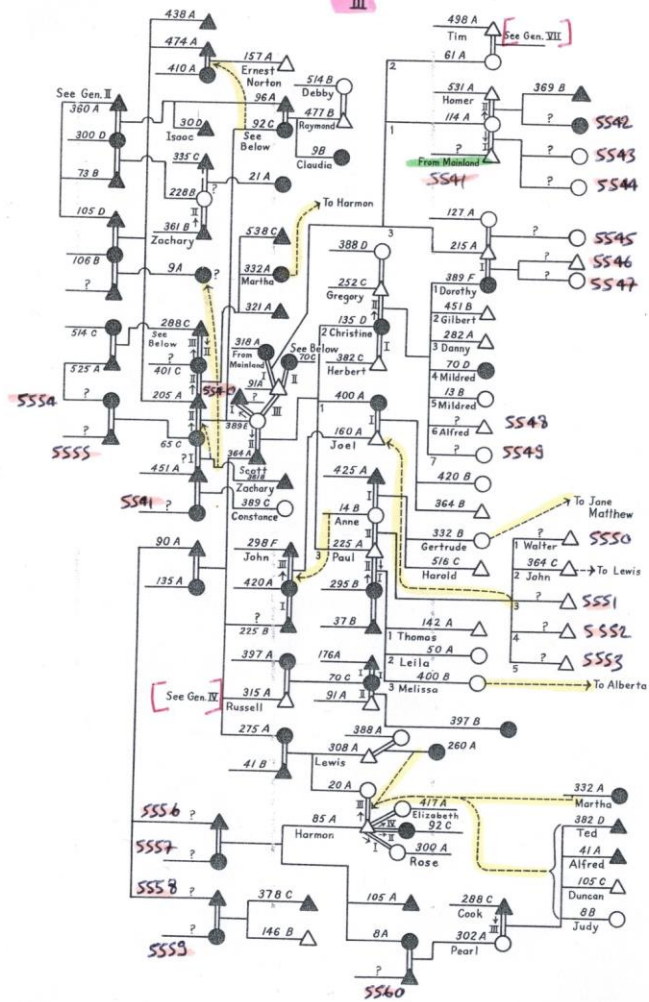
I



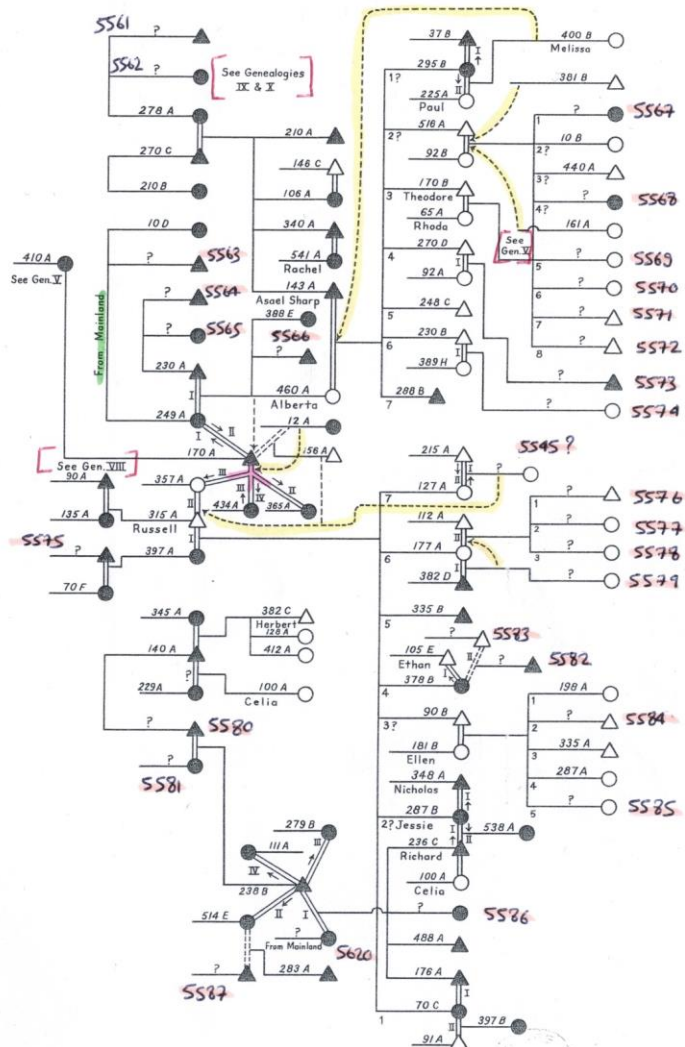
II

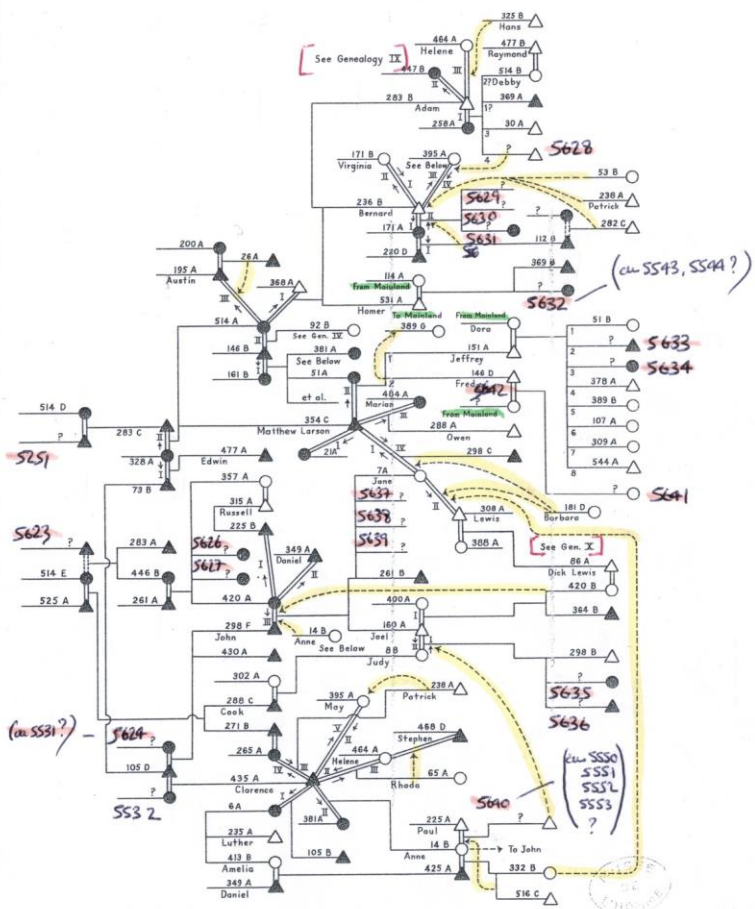
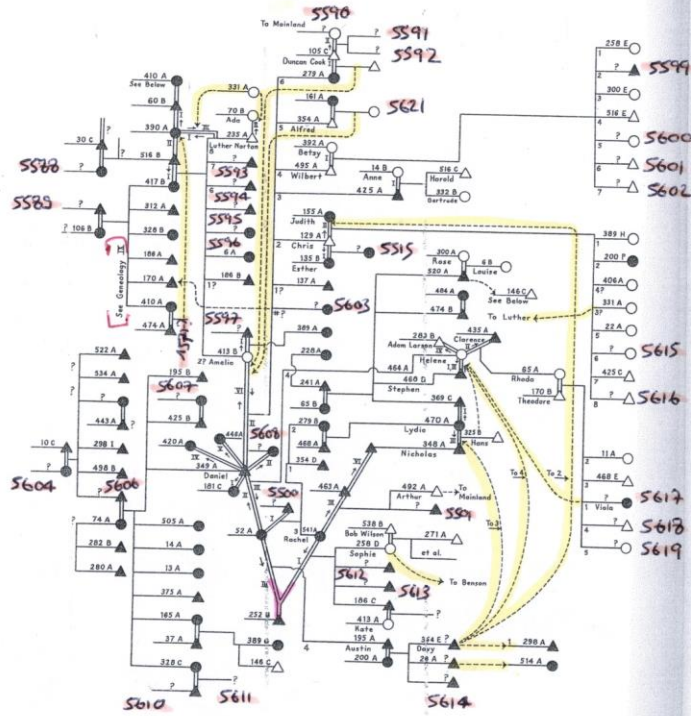


III

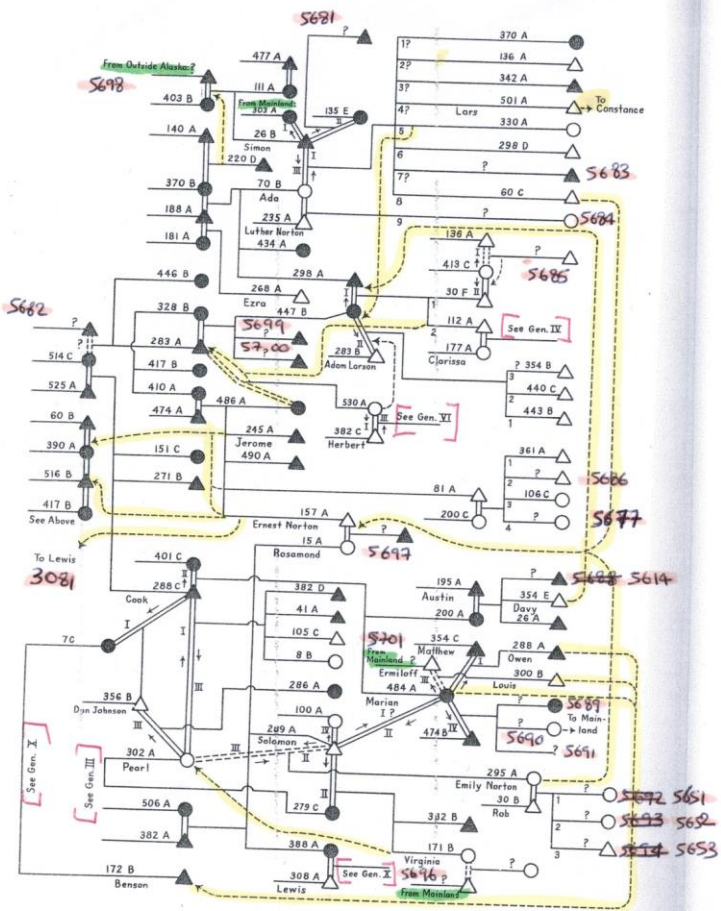


IV





IX



X

