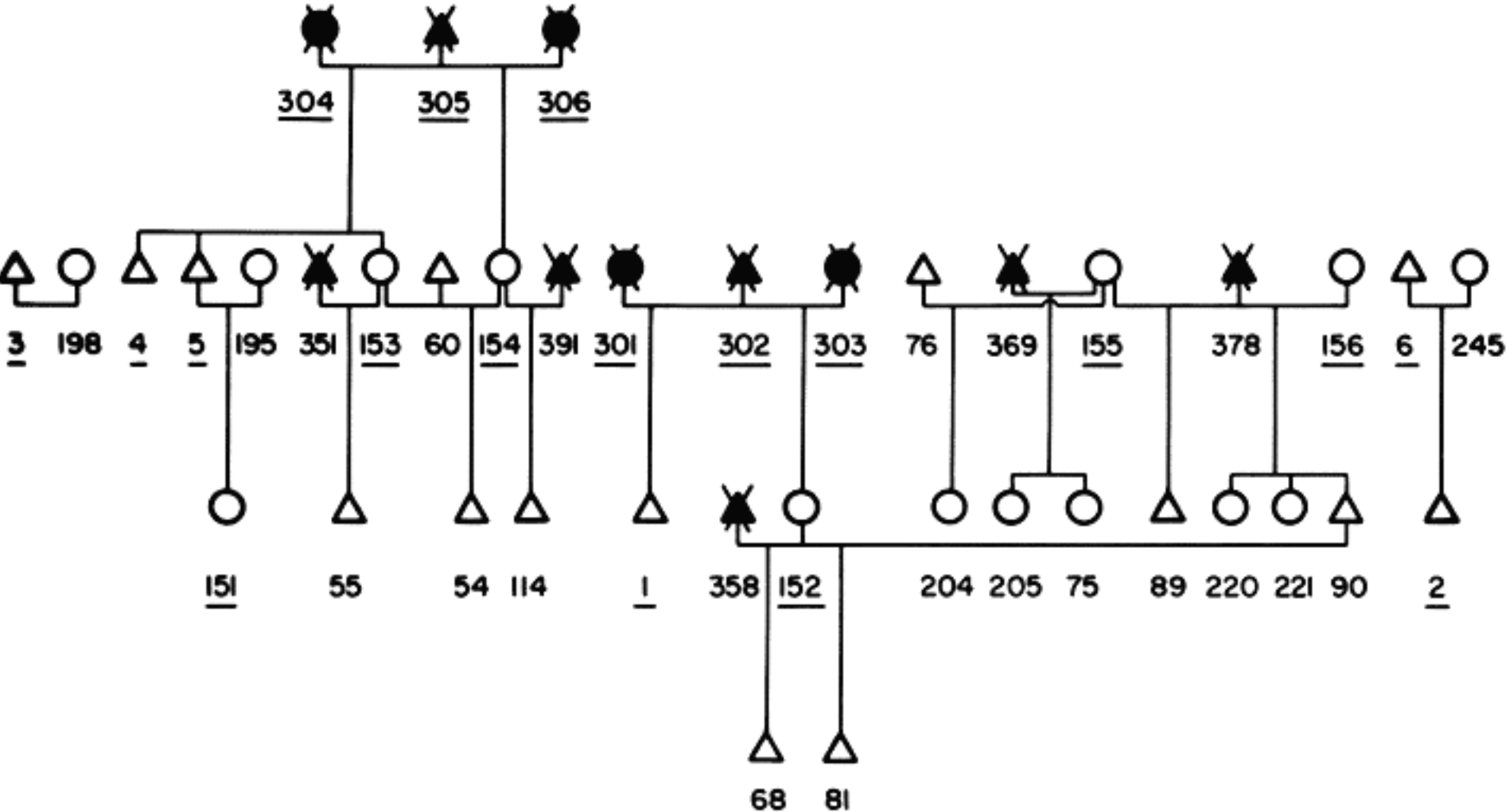
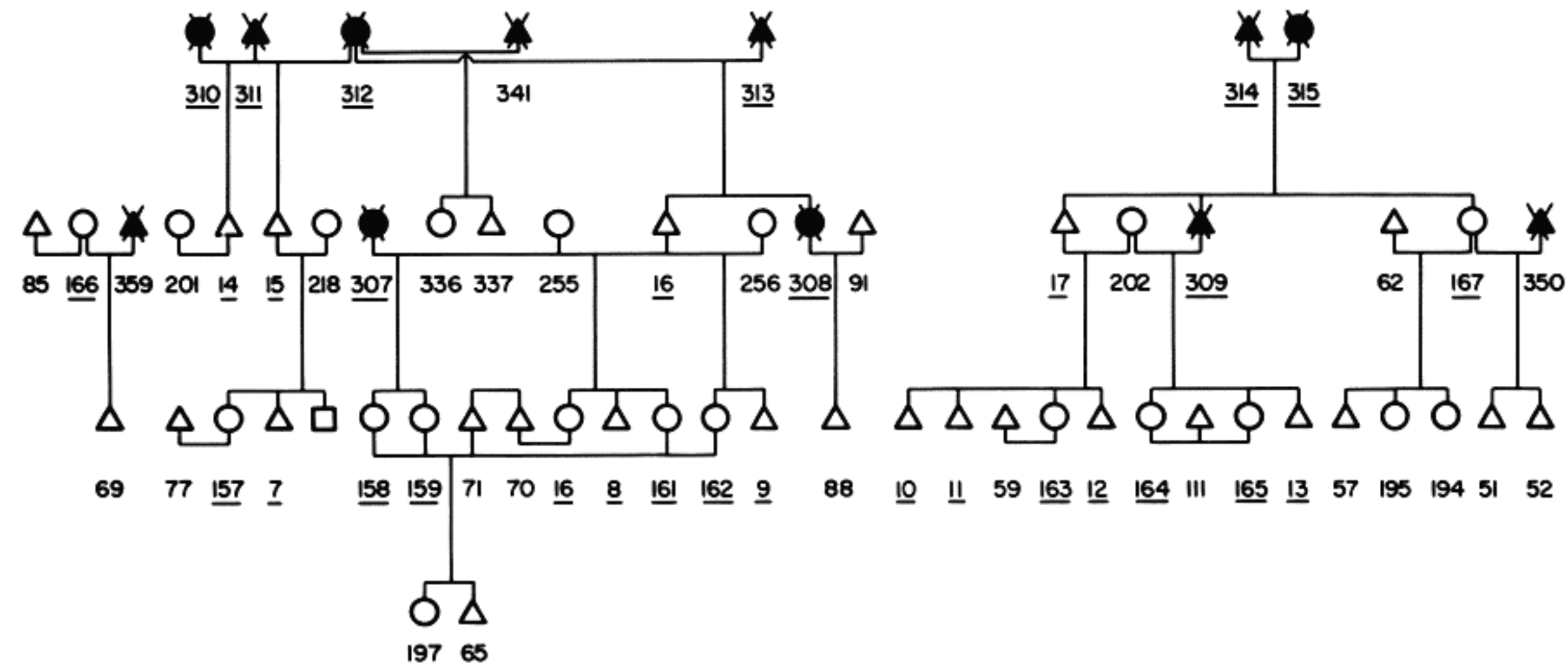


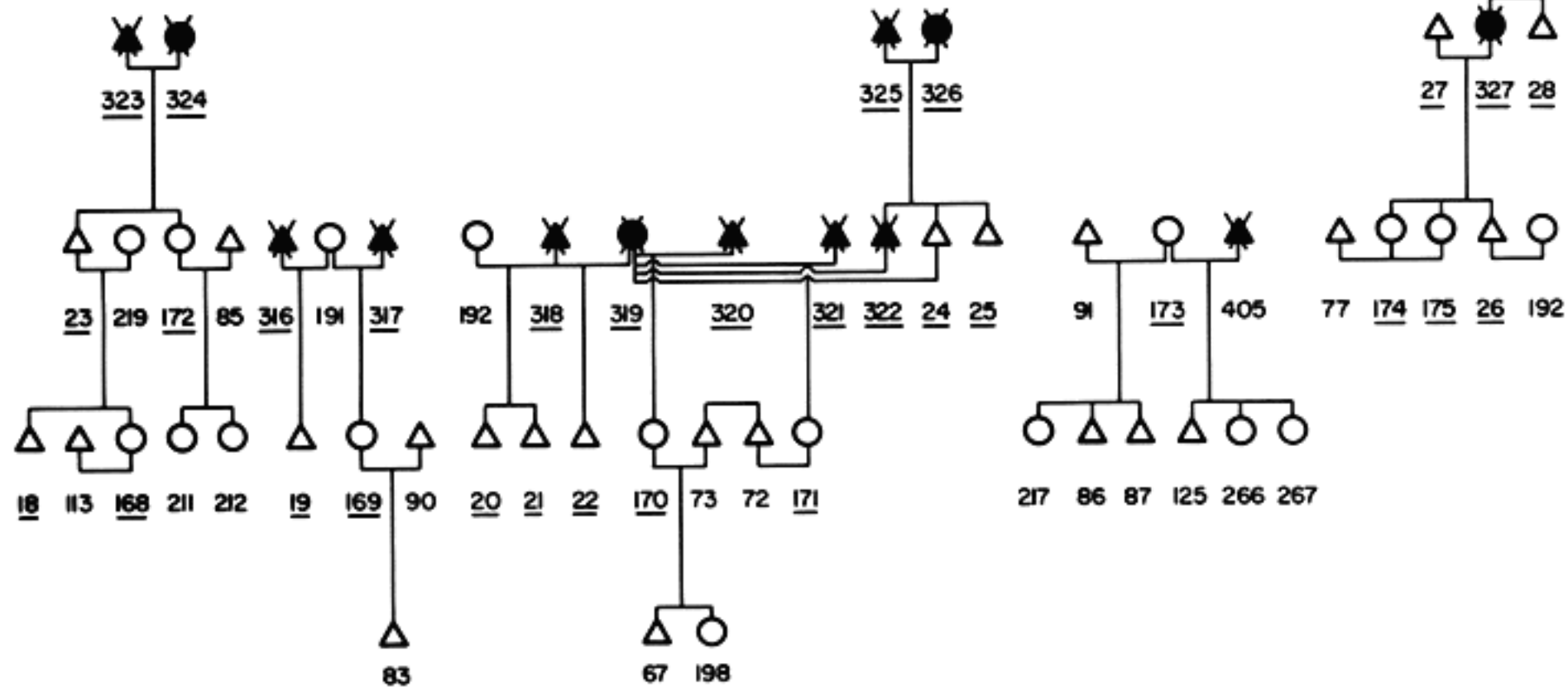
AU05 Wanindiljaugwa 1941, 1 of 12

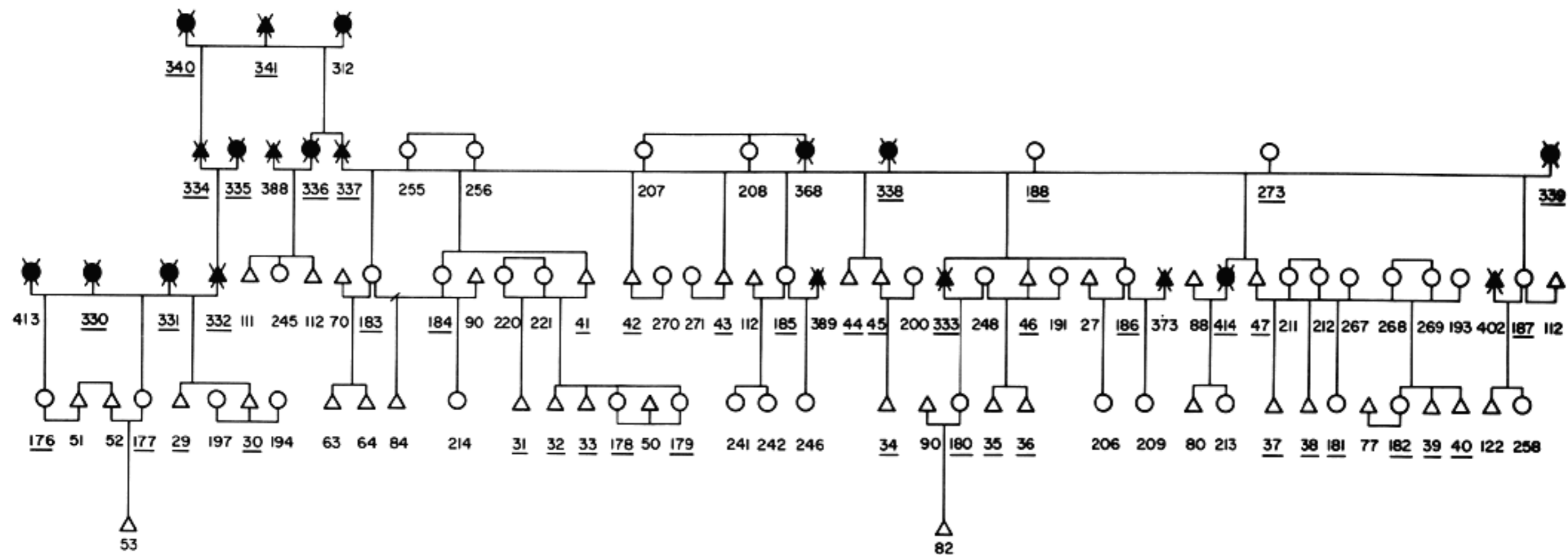


AU05 Wanindiljaugwa 1941, 2 of 12

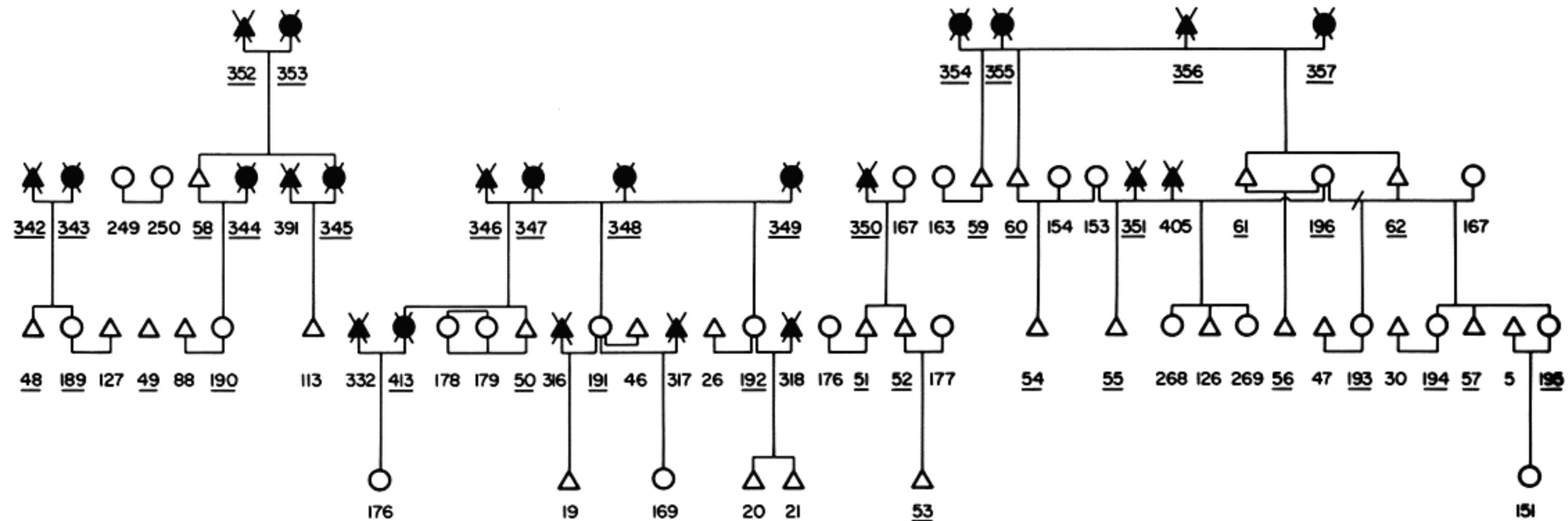


AU05 Wanindiljaugwa 1941, 3 of 12

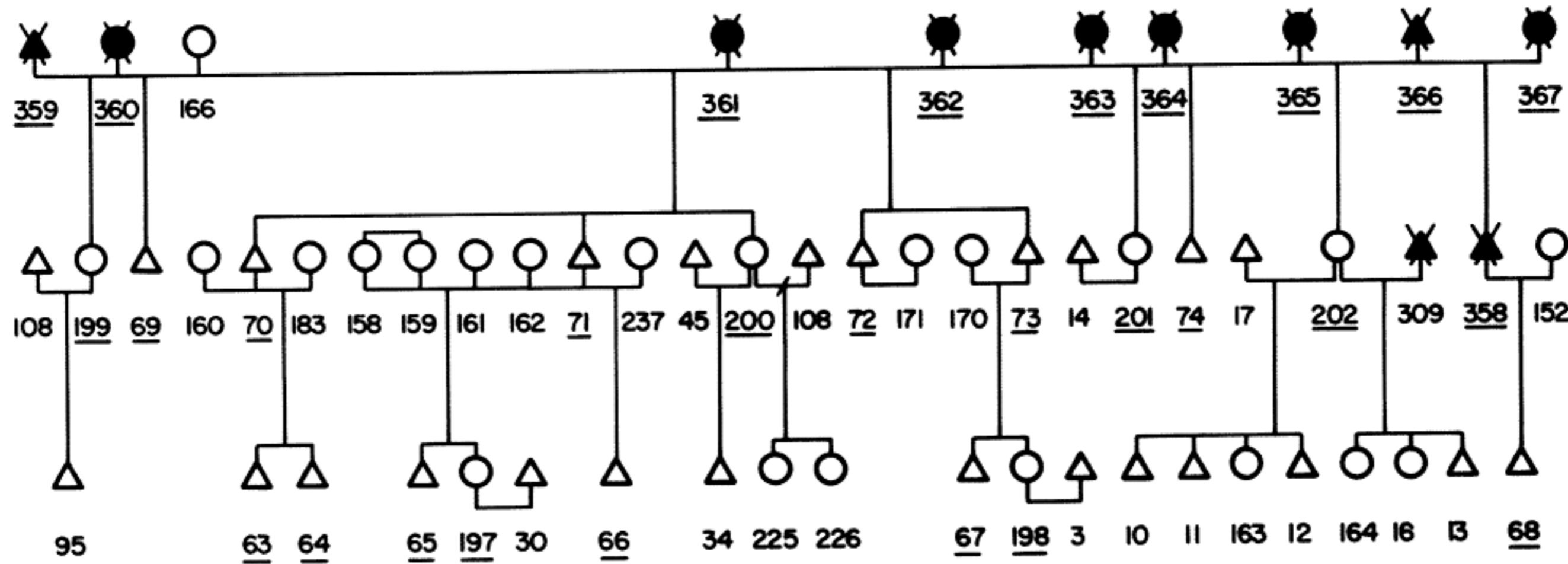




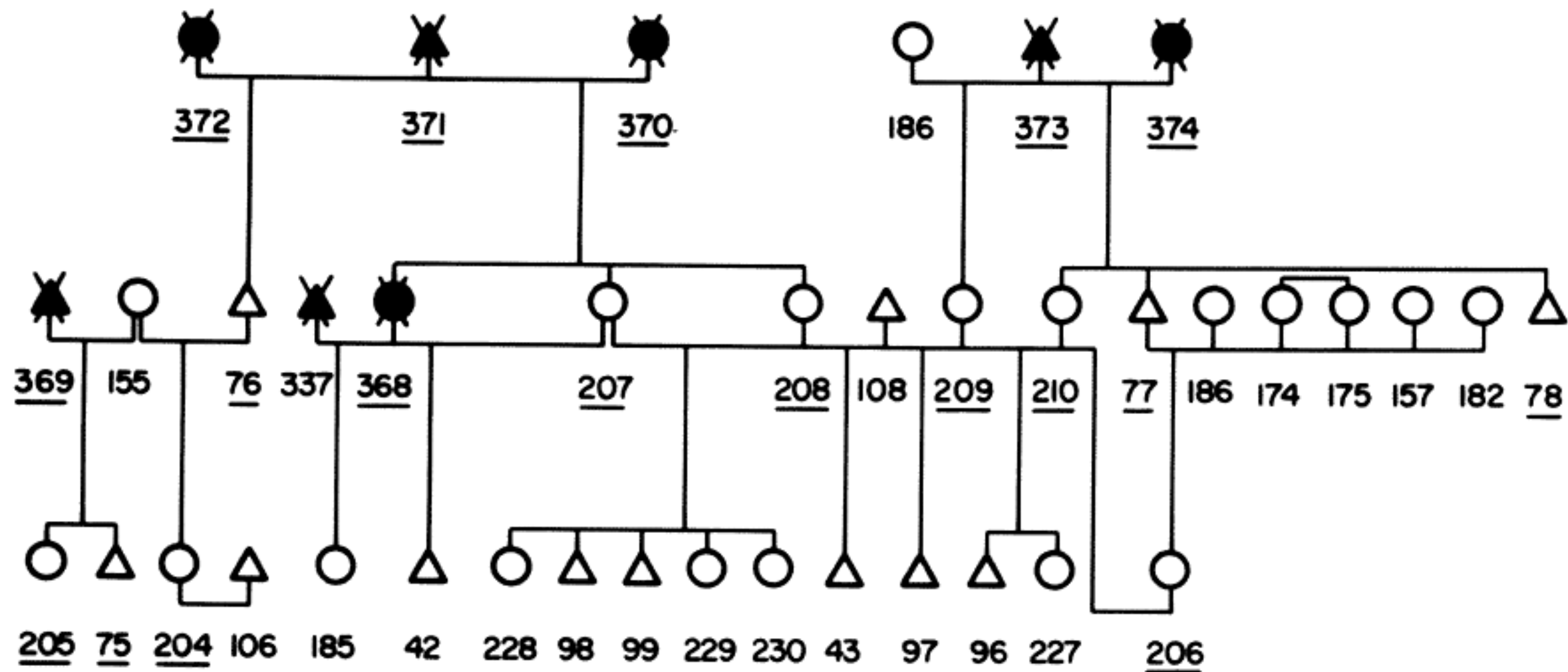
AU05 Wanindiljaugwa 1941, 5 of 12



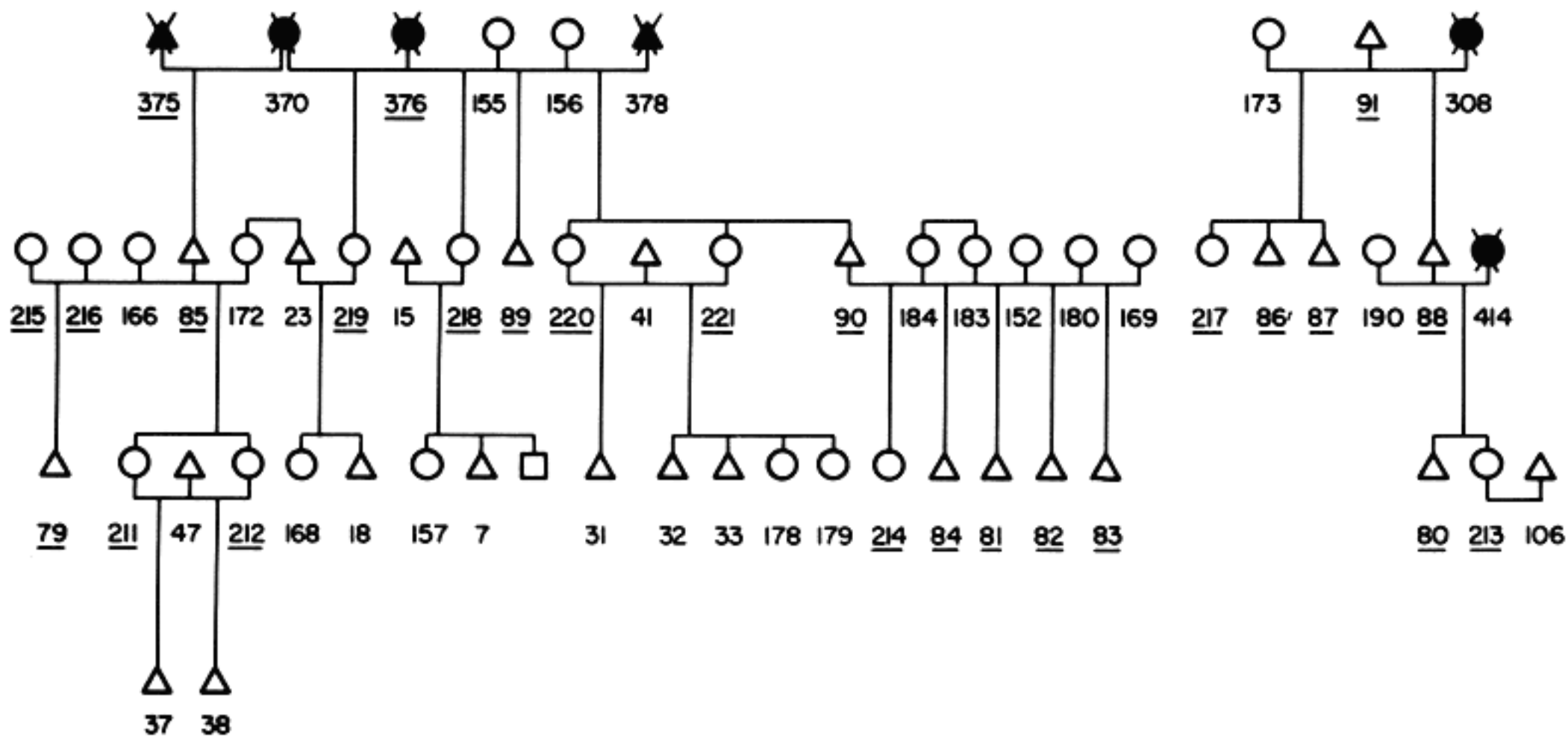
AU05 Wanindiljaugwa 1941, 6 of 12



AU05 Wanindiljaugwa 1941, 7 of 12



AU05 Wanindiljaugwa 1941, 8 of 12





AU05 Wanindiljaugwa 1941, 9 of 12

